



**SPARE PARTS CATALOGUE  
ERSATZTEILKATALOG  
CATALOGUE PIECES DETACHEES  
CATALOGO PARTI RICAMBIO  
CATALOGO DE PIEZAS DE RECAMBIO  
CATALOGO PECAS, DE REPOSICAO**

Catalogo parti di ricambio valido  
dalla matricola 2687847 ad oggi (17/11/2021)

Catalogue pieces detachees  
du numero de Série n. 2687847 jusqu'à aujourd'hui (17/11/2021)

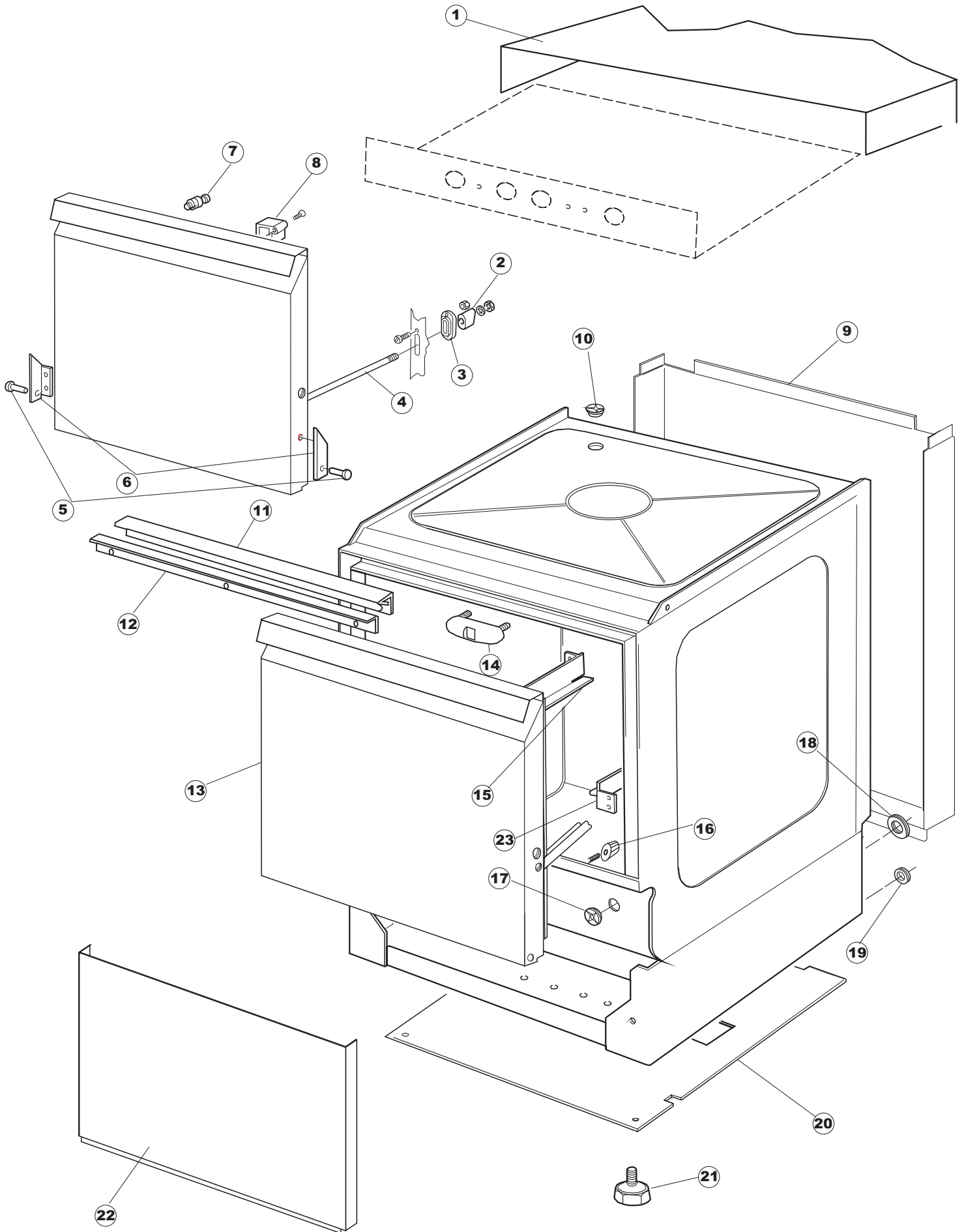
Ersatzteilkatalog  
gültig ab Serien-Nr. 2687847 bis heute (17/11/2021)

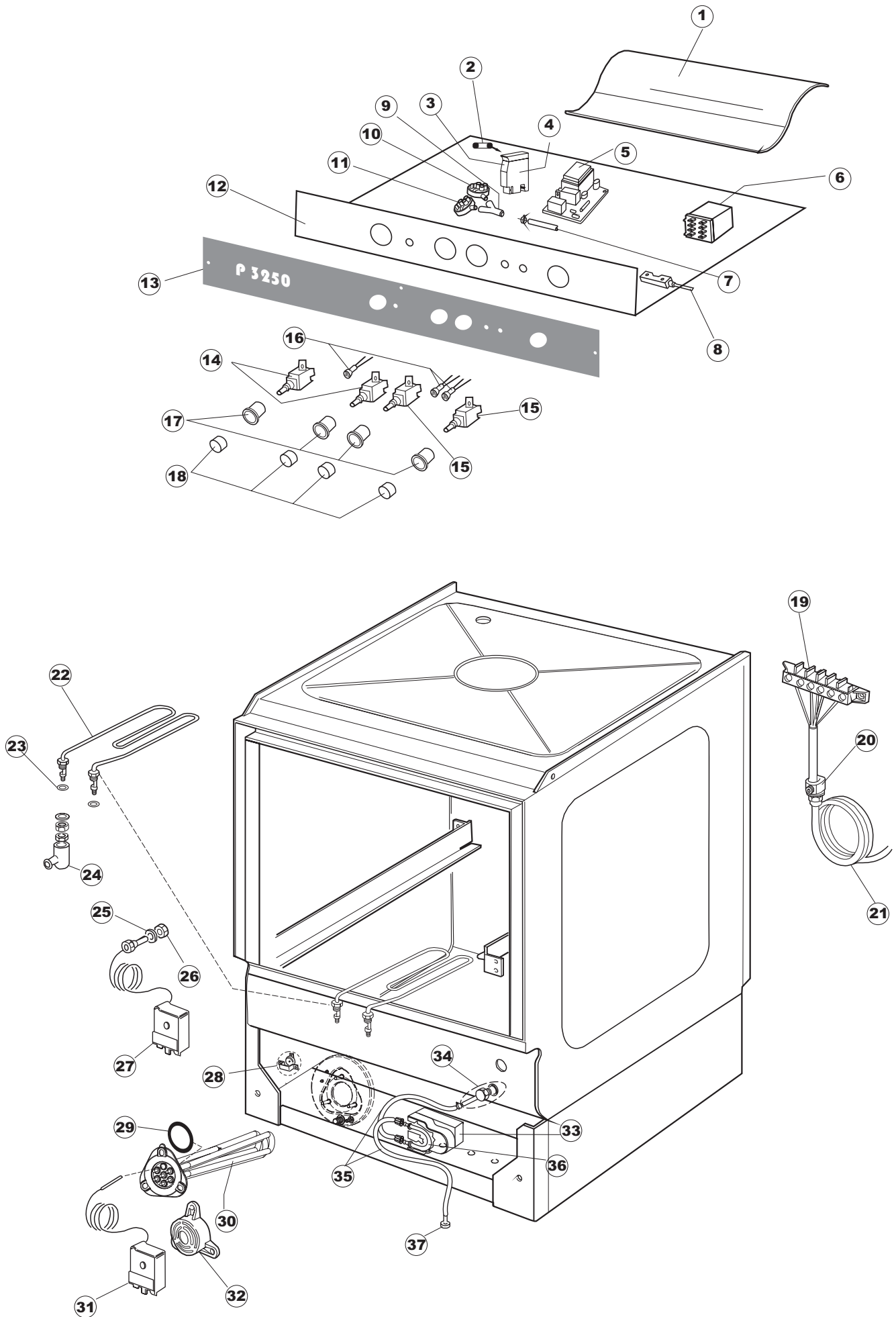
Spare parts catalogue  
valid from serial no. 2687847 up today (17/11/2021)

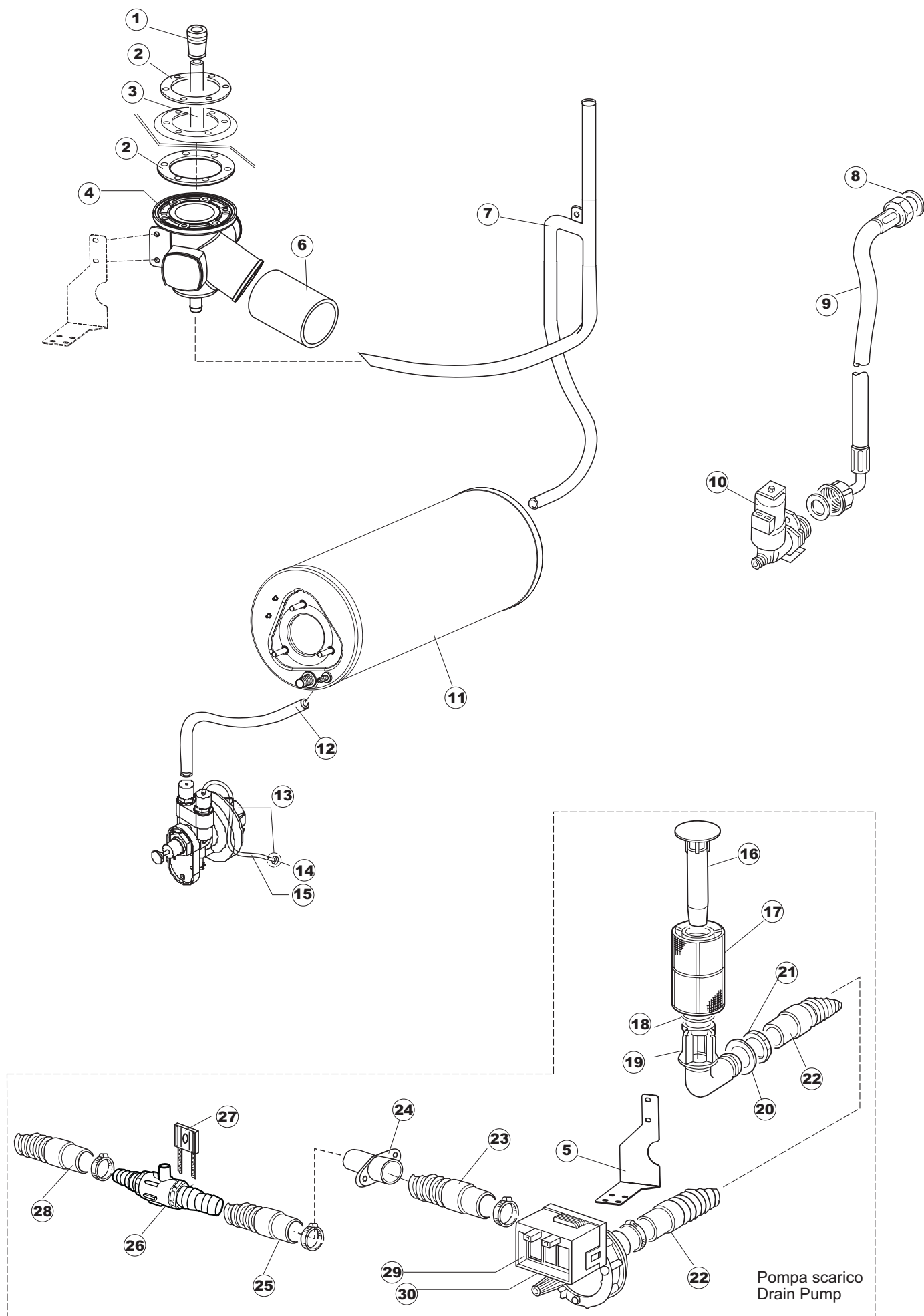
Catálogo de peças de reposição  
válido do número de série 2687847 até hoje (17/11/2021)

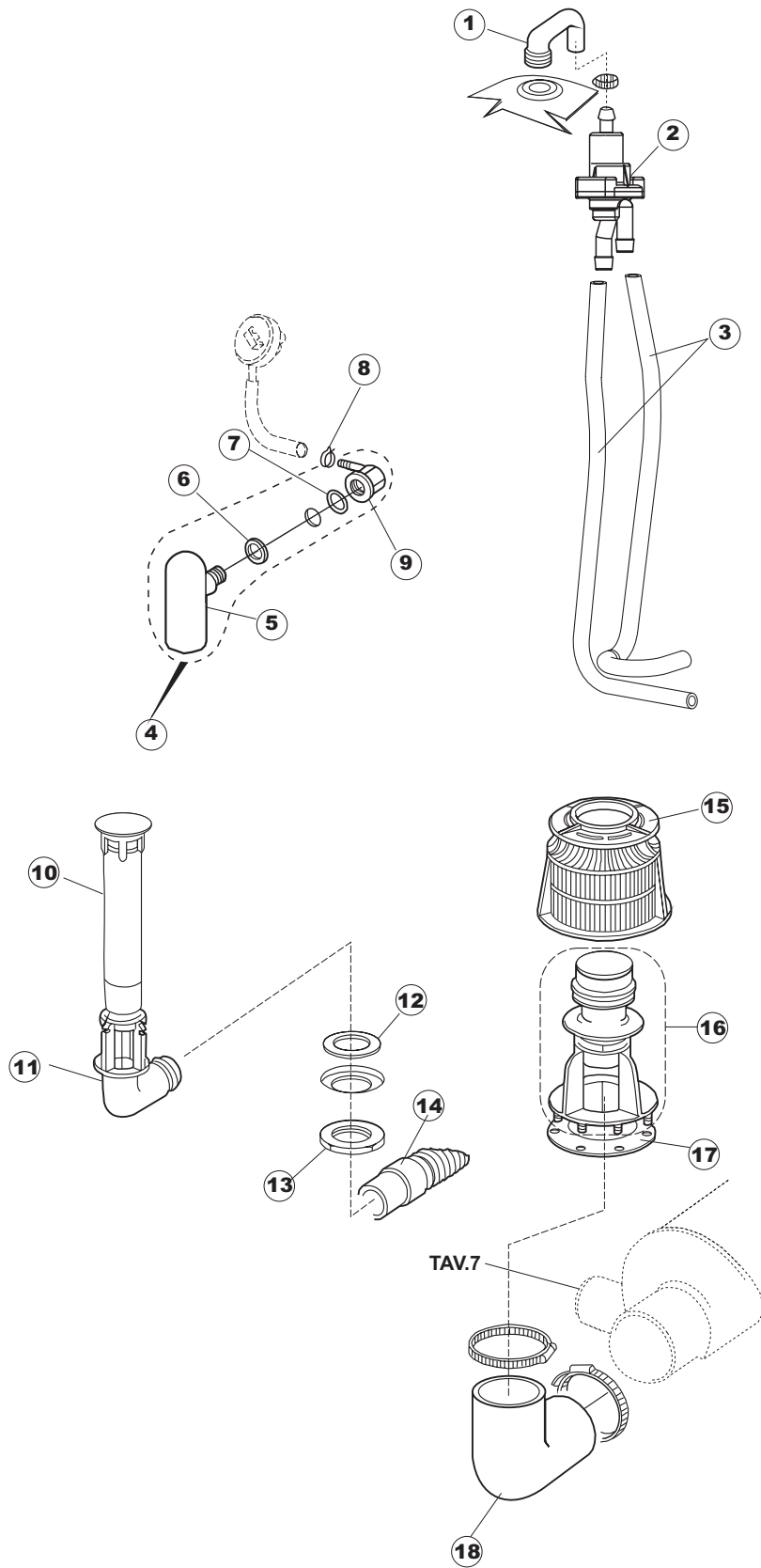
**P3250**

# 1

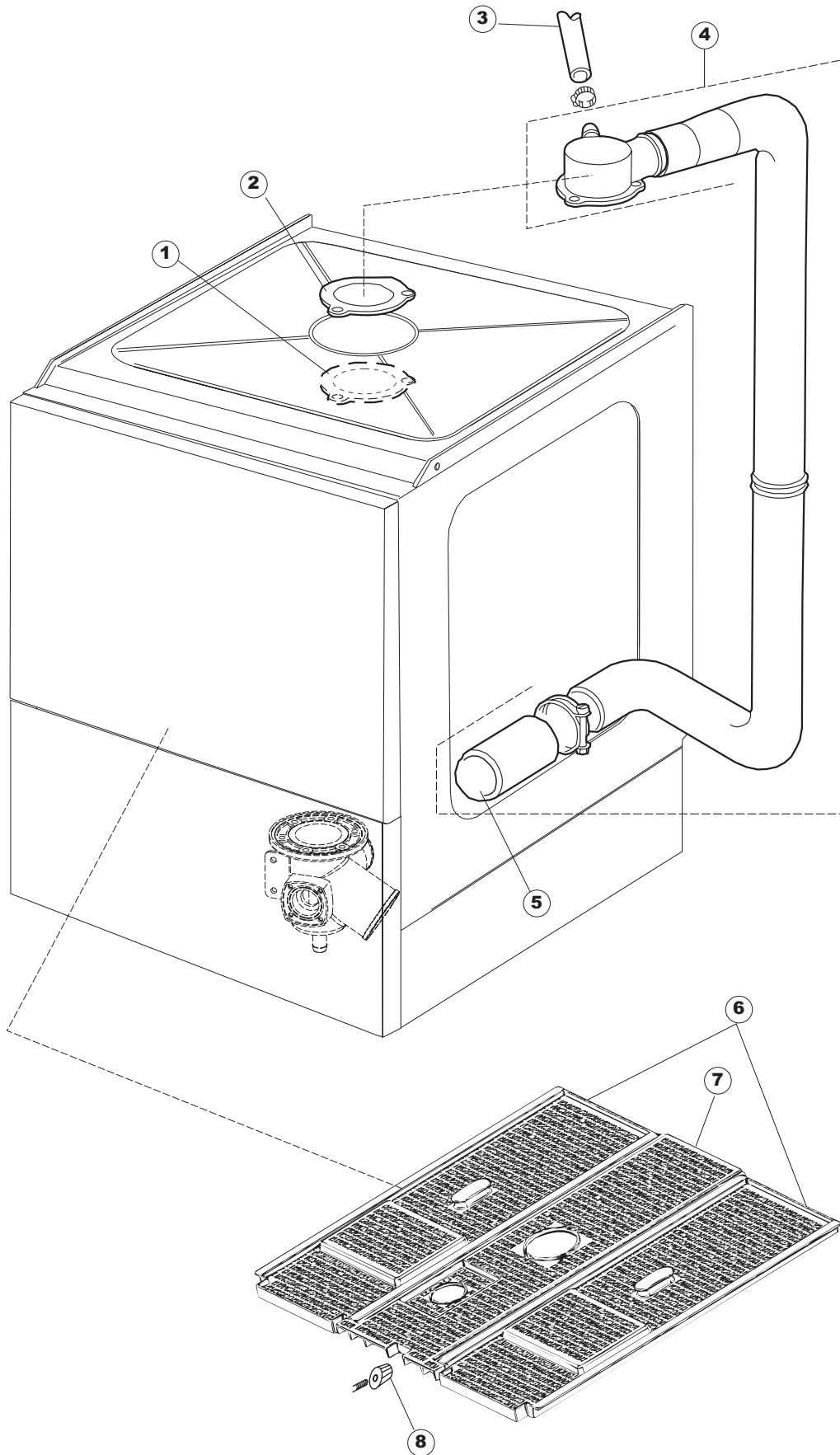




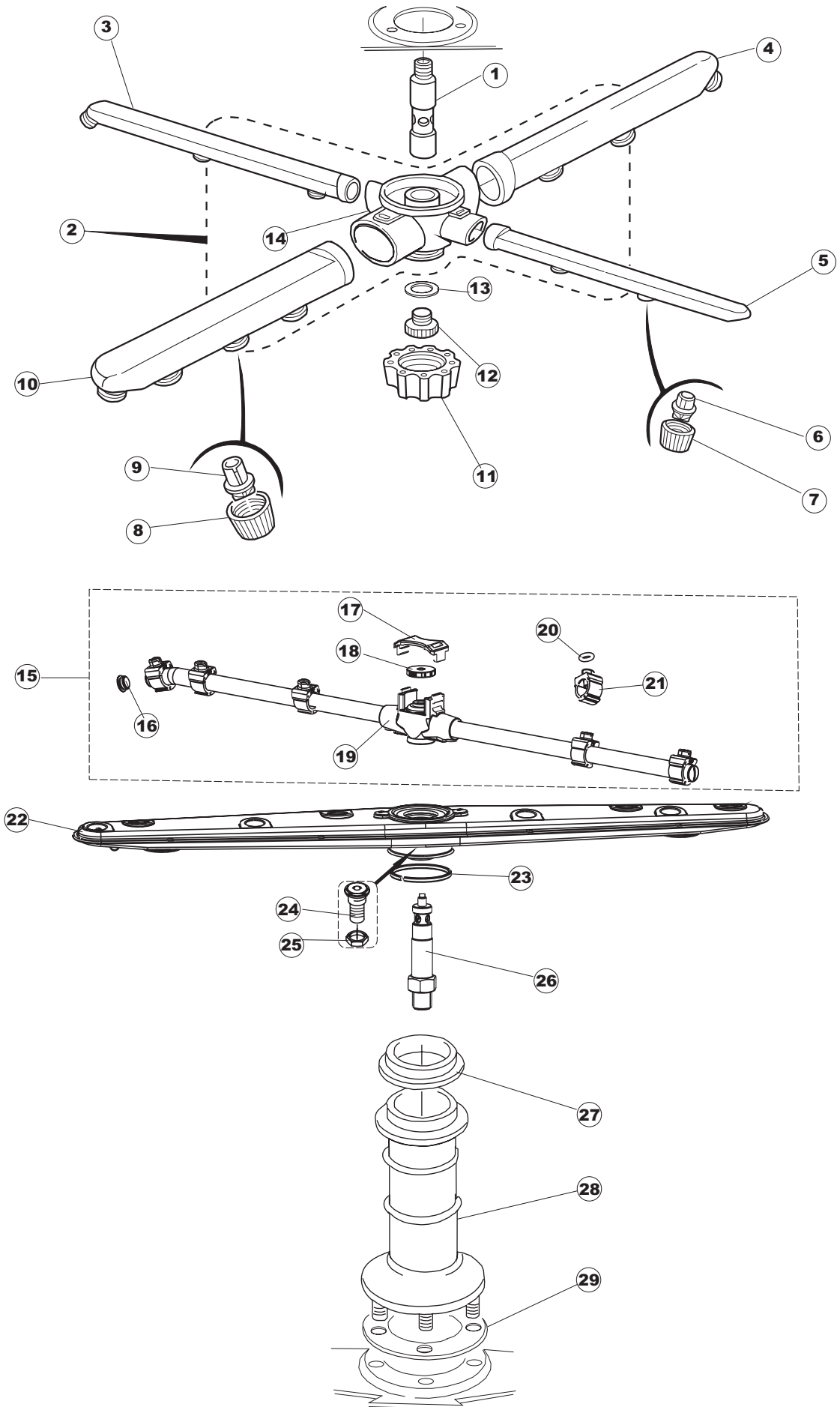




# 5



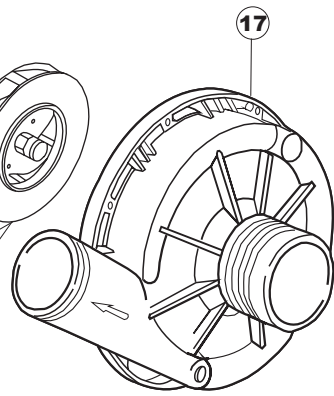
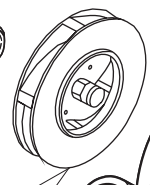
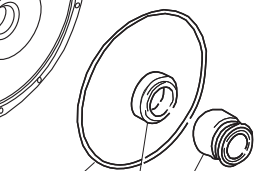
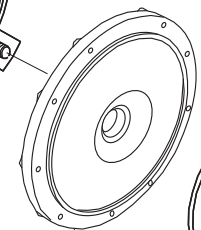
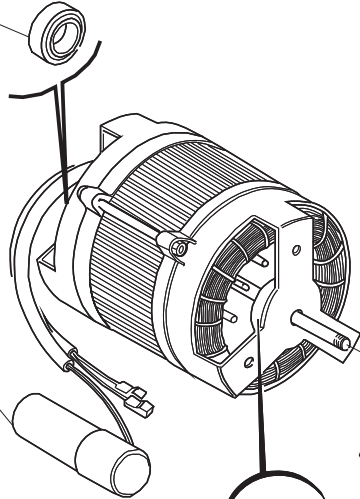
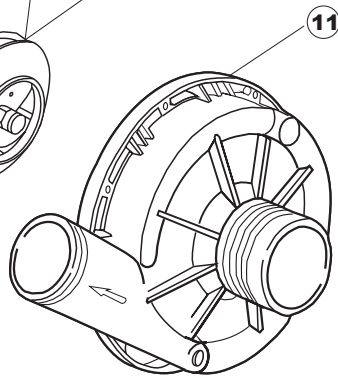
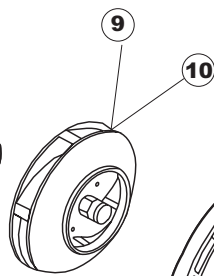
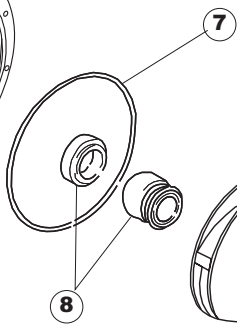
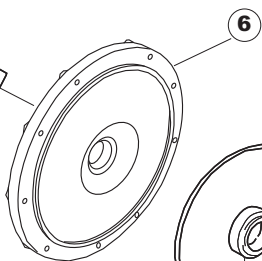
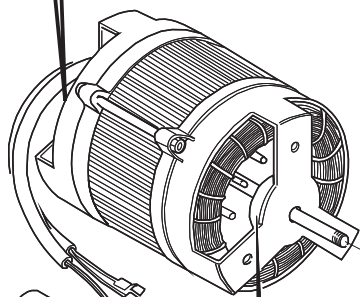
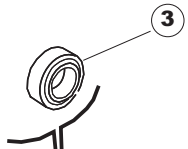
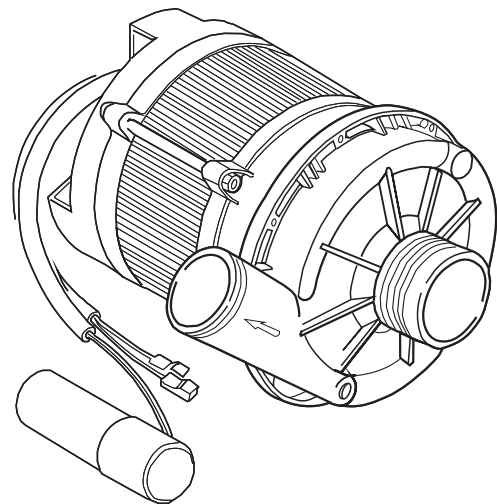
# 6



# B. 237

1

2



# T. 173

3

12

13

14

15

16

17



(\*) Recommended spare part.

Page	Spare part position	Spare part code no.	Old code number	Description	U.m.
1	1	004066		TOP PANEL	NR
1	2	417041		DOOR CLOSING CONTACT BETA 50 (S6198)	NR
1	3	307003		NUT OF TOP DOOR-STOP BAR	NR
1	4	304021		DOOR TIE ROD FOR DISHWASHER (S6323)	NR
1	5	325036		PIVOT	NR
1	6	311019		DOOR HINGE D18/G25 (S6662)	NR
1	7	325066		DOOR CLOSURE STAKE FOR GLASSWASHERS	NR
1	8	999108		DOOR MICROSWITCH SET	NR
1	9	022095		BACK PANEL	NR
1	10	480058		RUBBER CAP D.17	NR
1	11	437081		DOOR GASKET 50/505	NR
1	12	033301		DOOR PACKING FASTENING BRACKET 50/503	NR
1	13	029590		DOOR	NR
1	14	994012		DOOR LOCK FOR DISHWASHERS	NR
1	15	015064		RACK SLIDE SX.	NR
1	16	408006		FILTER SUPPORT STUD (S6689)	NR
1	17	480057		RUBBER CAP D.14	NR
1	18	459004		DRAIN PUMP CHOCK	NR
1	19	459006		CHOCK D INT 9 EST 16	NR
1	20	030080		UNDERPROTECTION FOR BASIS OF GLASS- WASHER	NR
1	21	461019		HEXAGONAL FOOT ADJUSTABLE FOR DISHWASHER	NR
1	22	012326		FRONT PANEL	NR
1	23	015063		RACK SLIDE DX.	NR
2	1	214086		TRANSPARENT PROTECTION FOR ELECTRIC	NR
2	2	228010		FUSE	NR
2	3	210010		FUSE-HOLDER	NR
2	4	210011		PLATE	NR
2	5	215029		PRICE TO BE DEFINED (PART NR. REPLACED BY 215038)	
2	5	215038		MAIN BOARD	NR
2	6	229039		RELAY	NR
2	7	143013		PIPE	MT
2	8	80871		MAGNETIC DOOR SWITCH	NR

(\*) Recommended spare part.

Page	Spare part position	Spare part code no.	Old code number	Description	U.m.
2	9	035031		Y-PIPE - PRESSURE SWITCH CONNECTION	NR
2	10	224010		SAFETY PRESSURE SWITCH	NR
2	11	224003		PRESSURE SWITCH (S6212)	NR
2	12	025818		PRICE TO BE DEFINED	
2	13	025973		POLYESTERE CONTROL PANEL P3250 INFRICO	NR
2	14	208010		DOUBLE SWITCH	NR
2	15	226071		CYCLE PUSH-BUTTON - 2 CONTACTS	NR
2	16	216025		LAMP	NR
2	17	226096		PUSH BUTTON CASE	NR
2	18	227050		PART NUMBER NO LONGER AVAILABLE	
2	19	220011		TERMINAL BLOCK	NR
2	20	459005		CABLE-RETAINER	NR
2	21	204034		PRICE TO BE DEFINED	
2	22	230086		HEATING ELEMENT	NR
2	23	456011		O-RING	NR
2	24	463007		PART NUMBER NO LONGER AVAILABLE	
2	25	437030		TANK THERMOSTAT PROBE GASKET	NR
2	26	417017		TANK THERMOSTAT PROBE LOCKING NUT	NR
2	27	236042		TANK THERMOSTAT (PART NR. REPLACED BY 236042C)	
2	27	236042C		TANK THERMOSTAT	NR
2	28	236047		SAFETY TANK THERMOSTAT 95C	NR
2	29	456002		O-RING	NR
2	30	230116		BOILER HEATING ELEMENT	NR
2	31	236043		ADJUSTABLE BOILER THERMOSTAT	NR
2	32	69870		BOILER HEATING ELEMENT PROTECTION	NR
2	33	209021		DETERGENT AID PUMP (PART NR. REPLACED BY 209029)	
2	33	209029		DETERGENT DISPENSER	NR
2	34	468151		PRICE TO BE DEFINED (PART NR. REPLACED BY 999348)	
2	34	999348		DETERGENT TANK FITTING	NR
2	35	143194		PIPE	MT
2	36	143219		"SANTOPRENE" PIPE	NR
2	37	121075		PRICE TO BE DEFINED (PART NR. REPLACED BY 121993)	

(\*) Recommended spare part.

Page	Spare part position	Spare part code no.	Old code number	Description	U.m.
2	37	121993		FILTER AID DISPENSER	NR
3	1	441009		GASKET	NR
3	2	437014		PACKING FOR LOWER WATER INLET PIPE FOR	NR
3	3	143174		RINSE PIPE FOR LOWER WATER COLLECTOR	NR
3	4	111030		LOWER MAIN MANIFOLD	NR
3	5	035064		SUPPORT BRACKET	NR
3	6	127026		PUMP INLET COUPLING PIPE	NR
3	7	143240		PART NUMBER NO LONGER AVAILABLE	
3	8	437041		GASKET	NR
3	9	929169		PRICE TO BE DEFINED (PART NR. REPLACED BY 143270)	
3	9	143270		INLET WRAS PIPE	NR
3	10	240011		FILL VALVE	NR
3	11	104060		BOILER	NR
3	12	143005		LINEN RUBBER PIPE 5X12 - BLACK	MT
3	13	209025		PRICE TO BE DEFINED (PART NR. REPLACED BY 999323)	
3	13	999323		KIT RINSE AID-DISPENSER	NR
3	14	121017		PRICE TO BE DEFINED	
3	15	H.775601		PIPE	MT
3	16	142053		OVERFLOW PIPE	NR
3	17	121078		FILTER FOR DRAIN PUMP	NR
3	18	303019		PART NUMBER NO LONGER AVAILABLE	
3	19	136023		CURVED DRAIN PIPE (\$6723)	NR
3	20	437063		GASKET	NR
3	21	417081		PART NUMBER NO LONGER AVAILABLE	
3	22	127050		DRAIN PUMP INLET HOSE	NR
3	23	127044		PART NUMBER NO LONGER AVAILABLE	
3	24	468152		DRAIN CONNECTION FOR DISHWASHERS SERIE	NR
3	25	127037		DRAIN SLEEVE	NR
3	26	144003		DRAIN PUMP VENT VALVE	NR
3	27	423024		HOSE CLAMP	NR
3	28	143178		DRAIN HOSE	NR
3	29	130105		PRICE TO BE DEFINED (PART NR. REPLACED BY 130176)	

(\*) Recommended spare part.

Page	Spare part position	Spare part code no.	Old code number	Description	U.m.
3	29	130176		DRAIN PUMP	NR
3	30	130150		DRAIN PUMP	NR
4	1	143189		AIR VENT	NR
4	2	144011		NON RETURN VALVE	NR
4	3	143004		PIPE	MT
4	4	984005		AIR TRAP, ASSY	NR
4	5	107005		AIR TRAP FOR PRESSURE SWITCH	NR
4	6	437019		PACKING FOR AIR TRAP OF PRESSURE SWITCH	NR
4	7	456020		O-RING	NR
4	8	423011		PART NUMBER NO LONGER AVAILABLE (PART NR. REPLACED BY 423028)	
4	8	423028		HOSE CLAMP	NR
4	9	468029		AIR TRAP CONNECTION OF PRESSURE SWITCH	NR
4	10	142052		OVERFLOW PIPE	NR
4	11	136023		CURVED DRAIN PIPE (S6723)	NR
4	12	437063		GASKET	NR
4	13	417081		PART NUMBER NO LONGER AVAILABLE	
4	14	143178		DRAIN HOSE	NR
4	15	121052		PRICE TO BE DEFINED (PART NR. REPLACED BY 121081)	
4	15	121081		STAINER	NR
4	16	478059		GRAY FILTER STAND	NR
4	17	437015		GASKET	NR
4	18	127041		PRICE TO BE DEFINED	
5	1	303029		DRIPPING RING FOR GLASSWASHER	NR
5	2	437064		GASKET	NR
5	3	143240		PART NUMBER NO LONGER AVAILABLE	
5	4	115113		MAINFOLD	NR
5	5	127036		DELIVERY WASH HOSE	NR
5	6	121139		STAINER	NR
5	7	121138		STAINER	NR
5	8	408006		FILTER SUPPORT STUD (S6689)	NR
6	1	327006		PIVOT	NR
6	2	990108		RINSE AND WASH ARMS	NR

(\*) Recommended spare part.

Page	Spare part position	Spare part code no.	Old code number	Description	U.m.
6	3	106007		RINSE ARM	NR
6	4	106006		LEFT WASH ARM	NR
6	5	106005		RINSE ARM	NR
6	6	140007		RINSE-NOZZLE FOR GLASSWASHER (S6514)	NR
6	7	429006		RING NUT	NR
6	8	429007		RING NUT	NR
6	9	140008		WASH-NOZZLE FOR DISHWASHER	NR
6	10	106008		RIGHT WASH ARM	NR
6	11	447128		FIXING HANDLE FOR LOWER/UPPER ARM FOR	NR
6	12	454002		PART NUMBER NO LONGER AVAILABLE	
6	13	437100		GASKET	NR
6	14	129039		ARM BODY	NR
6	15	993048		PRICE TO BE DEFINED	
6	16	480086		PLUG	NR
6	17	412029		SAFETY CATCH	NR
6	18	454005		PIN	NR
6	19	129054		ARM BODY	NR
6	20	456030		O-RING	NR
6	21	140025		RINSE JET	NR
6	22	80345		WASH ASSEMBLY	NR
6	23	303032		INOX RING	NR
6	24	417111		UNION NUT WASH/RINSE ARM	NR
6	25	308031		RING NUT	NR
6	26	325076		PART NUMBER NO LONGER AVAILABLE	
6	27	199058		SHUTTER WATER CIRCULAR	NR
6	28	115075		MAIN MANIFOLD	NR
6	29	437014		PACKING FOR LOWER WATER INLET PIPE FOR	NR
7	1	130109		WASHPUMP	NR
7	2	130119		WASHPUMP	NR
7	3	314001		PART NUMBER NO LONGER AVAILABLE	
7	4	206004		CAPACITOR	NR
7	6	315017		PRICE TO BE DEFINED	

(\*) Recommended spare part.

Page	Spare part position	Spare part code no.	Old code number	Description	U.m.
7	7	437049		PART NUMBER NO LONGER AVAILABLE	
7	8	141002		WASH PUMP SHAFT SEAL FOR GLASSWASHER	NR
7	9	124038		ELECTROPUMP IMPELLER	NR
7	10	124039		ELECTROPUMP IMPELLER	NR
7	11	116021		ELECTROPUMP HOUSING	NR
7	12	315022		FLANGE	NR
7	13	456031		O-RING	NR
7	14	141007		WASH PUMP SHAFT SEAL FOR GLASSWASHER	NR
7	15	124031		ELECTROPUMP IMPELLER	NR
7	16	124053		ELECTROPUMP IMPELLER	NR
7	17	116019		ELECTROPUMP HOUSING	NR